

HYDRAULIC FILTERS

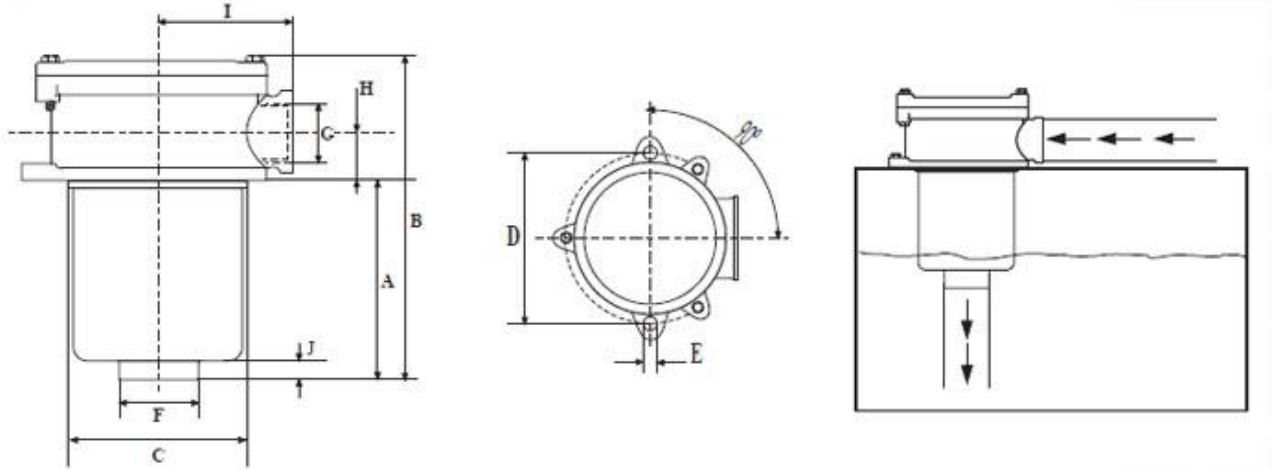
www.hydrex.com.tr



INDEX

Hydraulic Filters	3
<i>Tank Mounted Return Filters</i>	4
<i>Tank Top Return Filter</i>	7
<i>In Line Filter Spin On</i>	8
<i>Oil Suction Filter</i>	10

Tank Mounted Return Filter - 1/2"~1"



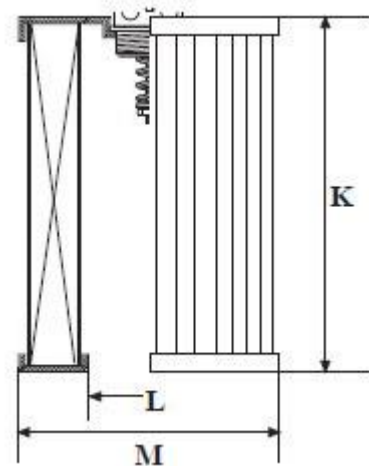
General Specifications

Construction	Aluminium cap, Electrostatic painted metal bushing (Naylon 66)
Sealing	nitrilee
Max. Operating Pressure	8bar
Working Temperature	-10°C~ +100°C
Fluid	Mineral oil
Nominal Flow	40~150lt/min.
Bypass opening pressure	1,5bar ± 0,3 bar
Filtration range	25µ/60µ
Connection	G1/2"-G3/4"-G1"
Filtration Efficiency	%98 for 25µ %99 for 60µ

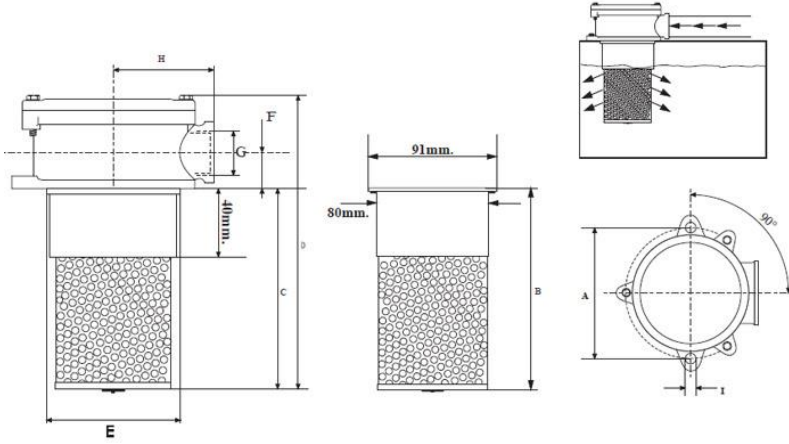
Nominal Flow (p 0,25) lpm

CODE	Nominal Flow (p 0,25) lpm	G	A	B	C	D	E	F	H	I	J
T12-3-3-0001	40	1/2"	88	140	66	90	7	24	22	51	24
T12-3-3-0002	70	1/2"	88	140	66	90	7	24	22	51	24
T12-3-3-0003	65	1/2"	103	172	87	115	9	1"	30	66	11
T12-3-3-0004	115	1/2"	103	172	87	115	9	1"	30	66	11
T12-3-3-0005	65	3/4"	103	172	87	115	9	1"	30	66	11
T12-3-3-0006	115	3/4"	103	172	87	115	9	1"	30	66	11
T12-3-3-0007	110	3/4"	136	205	87	115	9	1"	30	66	11
T12-3-3-0008	150	3/4"	136	205	87	115	9	1"	30	66	11
T12-3-3-0009	110	1"	136	205	87	115	9	1"	30	66	11
T12-3-3-0010	150	1"	136	205	87	115	9	1"	30	66	11

ELEMENT CODE	Filtration	K	L	M	Filtration Surface cm
T12-3-3-0011	25µ	70	25	50	540
T12-3-3-0012	60µ	70	25	50	330
T12-3-3-0013	25µ	100	29	71	1250
T12-3-3-0014	60µ	100	29	71	650
T12-3-3-0015	25µ	130	29	71	1700
T12-3-3-0016	60µ	130	29	71	840



Tank Mounted Return Filter - 1/2"~1"



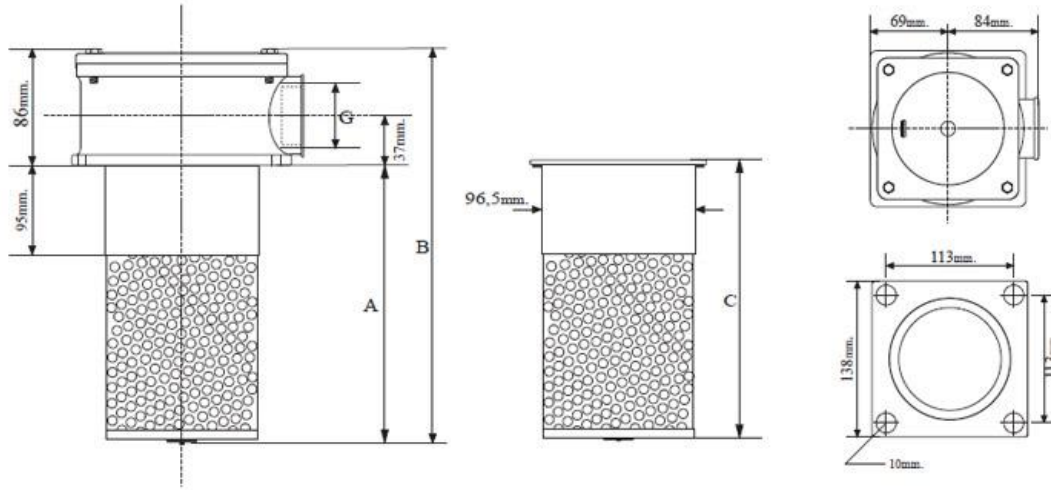
General Specifications

Construction	Aluminium cap, Nylong 66 half bushing.
Sealing	nitrile
Max. Operating Pressure	12bar
Working Temperature	-10°C~ +100°C
Fluid	Mineral oil
Nominal Flow	80~220lt/dk.
Bypass opening pressure	1,5bar ± 0,3 bar
Filtration range	25µ/60µ(Değişik µ için danışın)
Connection	G1/2"-G3/4"-G1"
Filtration Efficiency	%98 for 25µ %99 for 60µ

CODE	Nominal Flow (p 0,25) lpm	G	A	B	C	D	E	F	H	I
T12-3-3-0017	80	1/2"	115	100	85	155	87	30	66	9
T12-3-3-0018	120	1/2"	115	100	85	155	87	30	66	9
T12-3-3-0019	80	3/4"	115	100	85	155	87	30	66	9
T12-3-3-0020	120	3/4"	115	100	85	155	87	30	66	9
T12-3-3-0021	150	3/4"	115	130	115	185	87	30	66	9
T12-3-3-0022	190	3/4"	115	130	115	185	87	30	66	9
T12-3-3-0023	150	1"	115	130	115	185	87	30	66	9
T12-3-3-0024	190	1"	115	130	115	185	87	30	66	9
T12-3-3-0025	180	3/4"	115	180	165	235	87	30	66	9
T12-3-3-0026	220	3/4"	115	180	165	235	87	30	66	9
T12-3-3-0027	180	1"	115	180	165	235	87	30	66	9
T12-3-3-0028	220	1"	115	180	165	235	87	30	66	9

ELEMENT CODE	Filtration	Filtration Surface cm
T12-3-3-0029	25µ	1320
T12-3-3-0030	60µ	810
T12-3-3-0031	25µ	1320
T12-3-3-0032	60µ	810
T12-3-3-0033	25µ	1780
T12-3-3-0034	60µ	1100
T12-3-3-0035	25µ	1780
T12-3-3-0036	60µ	1100
T12-3-3-0037	25µ	2400
T12-3-3-0038	60µ	1550
T12-3-3-0039	25µ	2400
T12-3-3-0040	60µ	1550

Tank Mounted Return Filter - 1~1 1/2"



General Specifications

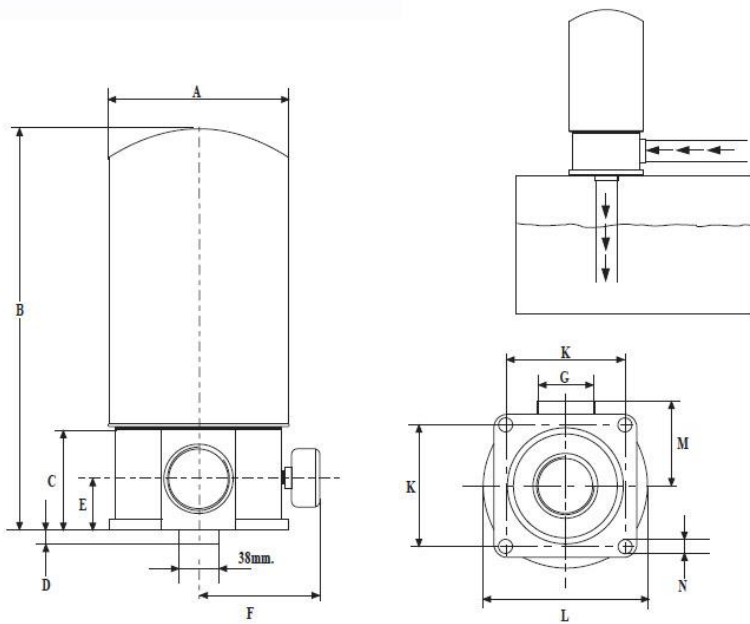
Construction	Aluminium cap, Naylon 6 bushing.
Sealing	nitrile
Max. Operating Pressure	10bar
Working Temperature	10°C~ +100°C
Fluid	Mineral oil
Nominal Flow	260~480lt/dk.
Bypass opening pressure	1,5bar ± 0,3 bar
Filtration range	25µ/60µ
Connection	G1"-G1 1/4"-G1 1/2"
Filtration Efficiency	%98 for 25µ %99 for 60µ



CODE	Nominal Flow (ρ 0,25) lpm	G	A	B	C
T12-3-3-0041	260	1"	235	321	250
T12-3-3-0042	340	1"	235	321	250
T12-3-3-0043	260	1 1/4"	235	321	250
T12-3-3-0044	340	1 1/4"	235	321	250
T12-3-3-0045	260	1 1/2"	235	321	250
T12-3-3-0046	340	1 1/2"	235	321	250
T12-3-3-0047	360	1 1/4"	445	531	460
T12-3-3-0048	480	1 1/4"	445	531	460
T12-3-3-0049	360	1 1/2"	445	531	460
T12-3-3-0050	480	1 1/2"	445	531	460

ELEMENT CODE	Filtration	Filtration Surface cm
T12-3-3-0051	25µ	3900
T12-3-3-0052	60µ	2250
T12-3-3-0053	25µ	3900
T12-3-3-0054	60µ	2250
T12-3-3-0055	25µ	3900
T12-3-3-0056	60µ	2250
T12-3-3-0057	25µ	7700
T12-3-3-0058	60µ	4600
T12-3-3-0059	25µ	7700
T12-3-3-0060	60µ	4600

Tank Top Return Filter



General Specifications

Construction	Aluminium cap, Steel bushing
Sealing	nitrile
Max. Operating Pressure	12bar
Working Temperature	-10°C~ +100°C
Fluid	Mineral oil
Nominal Flow	65~200t/dk.
Bypass opening pressure	1,5bar
Filtration range	10µ-25µ
Connection	G3/4"-G1"-G11/2"

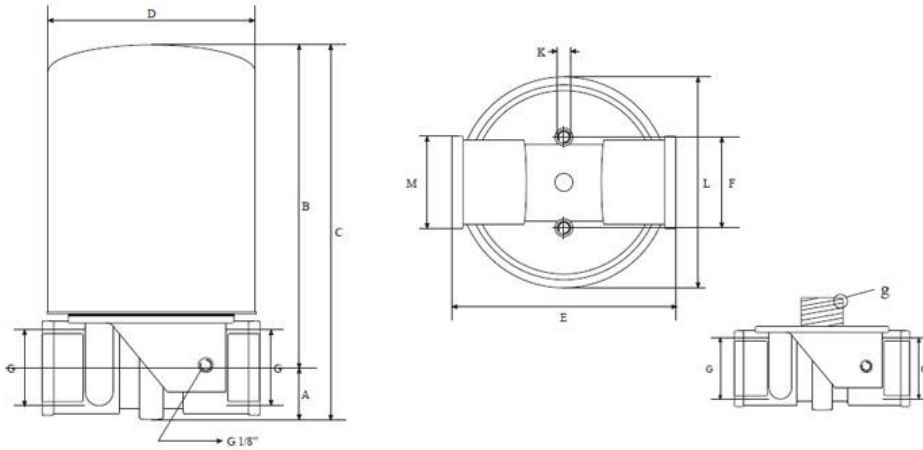
CODE	Flow lpm	G	A	B	C	D	E	F	K	L	M	N
T12-3-3-0061	65	3/4"	94	187	187	49	10	24	70	65	96	45
T12-3-3-0062	55	3/4"	94	187	187	49	10	24	70	65	96	45
T12-3-3-0063	75	3/4"	94	267	49	10	24	70	65	96	45	7
T12-3-3-0064	80		94	267	49	10	24	70	65	96	45	7
T12-3-3-0065	150	1 1/2"	127	260	73	19	36	98	100	130	72	9
T12-3-3-0066	115	1 1/2"	127	260	73	19	36	98	100	130	72	9
T12-3-3-0067	200	1 1/2"	135	383	73	19	36	98	100	137	72	9

ELEMENT CODE	Filtration	Assembly Size
T12-3-3-0068	25µ	1"x12
T12-3-3-0069	10µ	3/4"
T12-3-3-0070	25µ	1"x12
T12-3-3-0071	25µ	1"x12
T12-3-3-0072	25µ	1 1/4"
T12-3-3-0073	10µ	1 1/4"
T12-3-3-0074	25µ	1 1/2"x16

Cap CODE	Treat Size
T12-3-3-0075	3/4"
T12-3-3-0076	1"
T12-3-3-0077	1 1/2"



In Line Filter Spin On - 1/2"-3/4"-1"-11/4"



General Specifications

Construction	Aluminium cap, Steel bushing
Sealing	nitrile
Max. Operating Pressure	8bar
Working Temperature	-10°C~ +100°C
Fluid	Mineral oil
Nominal Flow	35-200lt/dk.
Bypass opening pressure	1,50bar
Filtration range	10µ/25µ
Connection	1/2"-3/4"-1"-11/4"

CODE	Flow lpm	G	A	B	C	D	E	F	K	L	M
T12-3-3-0078	35	1/2"	24	118	140	94	94	38	M6	95	41
T12-3-3-0079	55	3/4"	24	163	183	94	94	38	M6	95	41
T12-3-3-0080	65	3/4"	24	163	183	94	94	38	M6	95	41
T12-3-3-0081	55	1"	24	163	183	94	94	38	M6	95	41
T12-3-3-0082	65	1"	24	163	183	94	94	38	M6	95	41
T12-3-3-0083	70	3/4"	24	238	258	94	94	38	M6	95	41
T12-3-3-0084	80	3/4"	24	238	258	94	94	38	M6	95	41
T12-3-3-0085	70	1"	24	238	258	94	94	38	M6	95	41
T12-3-3-0086	80	1"	24	238	258	94	94	38	M6	95	41
T12-3-3-0087	115	1 1/4"	32	218	245	127	134	50	M8	180	57
T12-3-3-0088	150	1 1/4"	32	218	245	127	134	50	M8	180	57
T12-3-3-0089	200	1 1/4"	32	342	370	135	134	50	M8	138	57

ELEMENT CODE	Filtration	Assembly Size
T12-3-3-0090	25µ	3/4"x16
T12-3-3-0091	10µ	1"x12
T12-3-3-0092	25µ	1"x12
T12-3-3-0093	10µ	1"x12
T12-3-3-0094	25µ	1"x12
T12-3-3-0095	10µ	1"x12
T12-3-3-0096	25µ	1"x12
T12-3-3-0097	10µ	1"x12
T12-3-3-0098	25µ	1"x12
T12-3-3-0099	10µ	1 1/4"
T12-3-3-0100	25µ	1 1/4"
T12-3-3-0101	25µ	1 1/2"x16

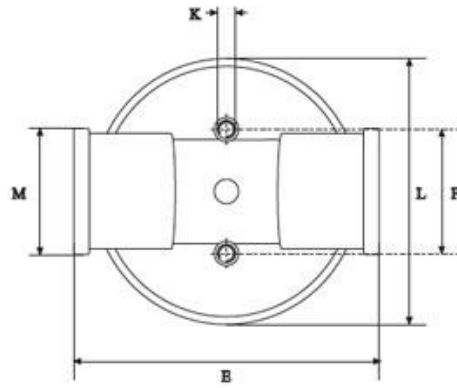
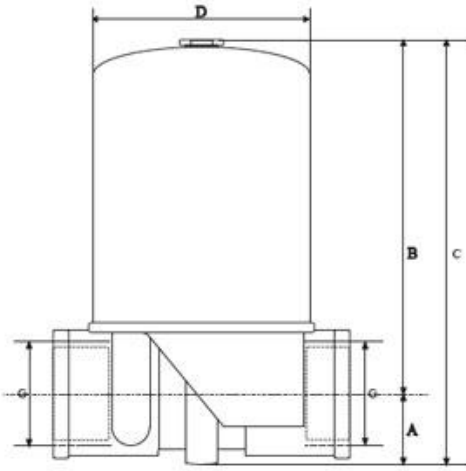
Cap CODE	G	Treat Size
T12-3-3-0102	1/2"	3/4"x16
T12-3-3-0103	3/4"	1"x12
T12-3-3-0104	1"	1"x12
T12-3-3-0105	1 1/4"	1 1/4"
T12-3-3-0106	1 1/4"	1 1/2"x16

In Line Filter Spin On



General Specifications

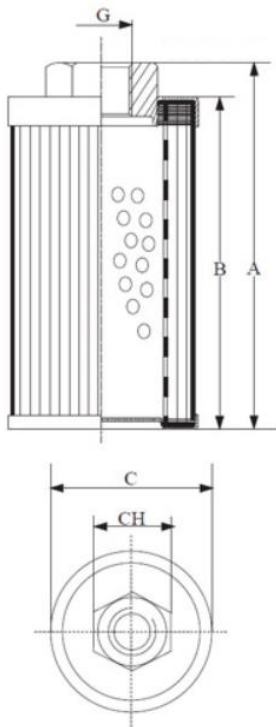
Construction	Alüminyum başlık,
Bushing 130 :	Metal
Bushing 130:	Glass-fiber NAYLON 6
Working Temperature	-10°C~ +90°C
Fluid	
Nominal Flow	130~180lt/dk.
Filtration range	125-180-250µ
Connection	G11/4"



CODE	Flow lpm	G	A	B	C	D	E	F	K	L	M
T12-3-1-0023	130	1 1/4"	32	163	195	97	134	50	M8	114	57
T12-3-1-0024	160	1 1/4"	32	163	195	97	134	50	M8	114	57
T12-3-1-0025	180	1 1/4"	32	163	195	97	134	50	M8	114	57

ELEMENT CODE	Filtration
T12-3-1-0026	25µ
T12-3-1-0027	10µ
T12-3-1-0028	25µ

Oil Suction Filter 125M



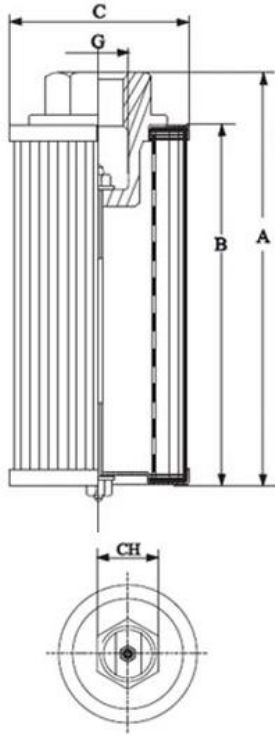
General Specifications

Construction	EDM: Aluminium cap/Galvanized metal cover. EMS: Aluminium cap/Galvanized metal cover/pim supported
Working Temperature	90°C
Fluid	Mineral oil (viscosity 30cst)
Nominal Flow	15~1400lt/dk.
Filtration range	125µ(304-chromium nickel)
Connection	G1"-G1 1/2"-G2"- G2 1/2"-G3"

CODE	Flow lpm	G	A	B	C	CH
T12-3-1-0001	5	1/4"	82	73	30	17
T12-3-1-0002	15	1/2"	84	72	64	43
T12-3-1-0003	15	1"	84	72	64	43
T12-3-1-0004	25	1"	119	107	64	43
T12-3-1-0005	45	1"	160	147	64	43
T12-3-1-0006	65	1 1/2"	132	116	90	65
T12-3-1-0007	90	1 1/2"	189	172	90	65
T12-3-1-0008	125	1 1/2"	222	206	90	65
T12-3-1-0009	125	2"	263	242	90	65



Oil Suction Filter 125M



General Specifications

Construction	EDM: Aluminium cap/Galvanized metal cover. EMS: Aluminium cap/Galvanized metal cover/pin supported
Working Temperature	90°C
Fluid	Mineral oil (viscosity 30cst)
Nominal Flow	15~1400lt/dk.
Filtration range	125µ(304-chromium nickel)
Connection	G1"-G1 1/2"-G2"- G2 1/2"-G3"

CODE	Flow lpm	G	A	B	C	CH
T12-3-1-0010	15	1"	88	66	59	42
T12-3-1-0011	25	1"	124	102	59	42
T12-3-1-0012	45	1"	164	142	59	42
T12-3-1-0013	65	1 1/2"	134	114	82	62
T12-3-1-0014	90	1 1/2"	188	168	82	62
T12-3-1-0015	125	1 1/2"	222	202	82	62
T12-3-1-0016	150	1 1/2"	215	196	97	62
T12-3-1-0017	180	1 1/2"	263	242	82	62
T12-3-1-0018	225	2"	192	167	130	80
T12-3-1-0019	300	2"	225	202	130	80
T12-3-1-0020	500	2 1/2"	282	254	130	86
T12-3-1-0021	750	3"	271	253	182	98
T12-3-1-0022	1400	3"	523	504	182	98

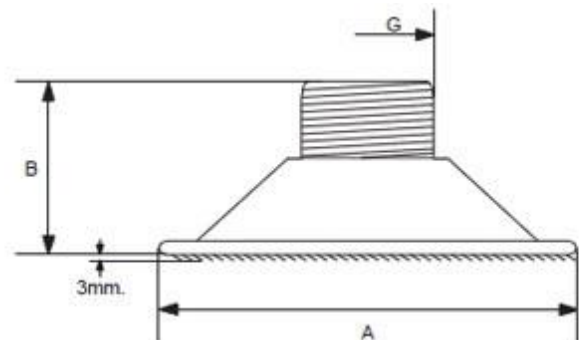
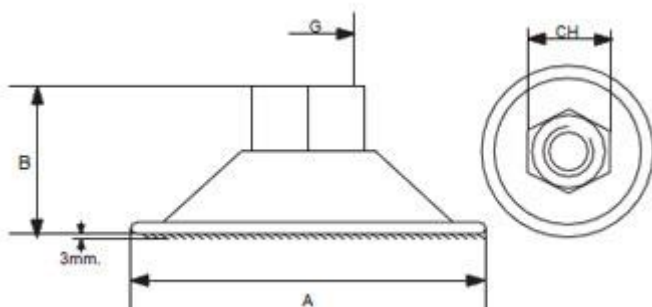


Oil Suction Filter



General Specifications

Construction	Zinc plated metal body. Phosphate plated supporting plate. Zinc plated free-cutting adapter
Working Temperature	90°C
Fluid	Mineral oil (viscosity 30cst)
Nominal Flow	8-14lt/dk.
Filtration range	65-125µ(304-chromium nickel)
Connection	G3/8"



CODE	Micron	A	Flow lpm	B	G	CH
T12-3-1-0029	60	60	8	23	3/8"	19
T12-3-1-0030	125	60	12	23	3/8"	19
T12-3-1-0031	60	70	10	23	3/8"	19
T12-3-1-0032	125	70	14	23	3/8"	19
T12-3-1-0033	60	90	16	23	3/8"	19
T12-3-1-0034	125	90	18	23	3/8"	19

CODE	Micron	A	Flow lpm	B	G
T12-3-1-0035	60	60	8	23	3/8"
T12-3-1-0036	125	60	12	23	3/8"
T12-3-1-0037	60	70	10	23	3/8"
T12-3-1-0038	125	70	14	23	3/8"
T12-3-1-0039	60	90	16	23	3/8"
T12-3-1-0040	125	90	18	23	3/8"

HYDREX

A.O.S.B. 10.000 Sokak No.22
Çiğli / İzmir / Türkiye
Tel: +90 232 376 79 99
Fax: +90 232 376 80 78

sales@hyrex.com.tr
info@hyrex.com.tr

www.hyrex.com.tr

